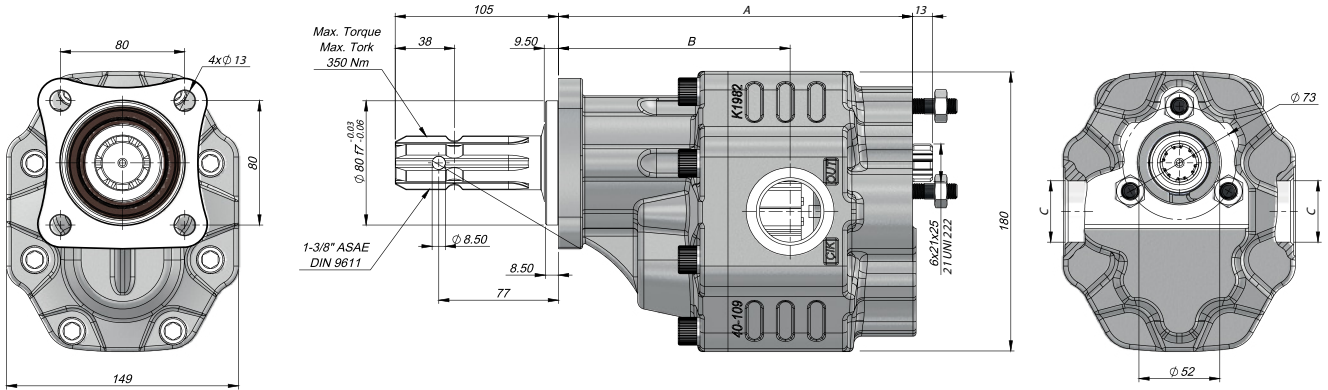


TEKNİK VERİLER | TECHNICAL DATA

4 DELİKLİ ASAE-L TANDEM DİŞLİ POMPA | 4 HOLES ASAE-L TANDEM GEAR PUMP

Giriş Basıncı Inlet Pressure		0.3÷ 2 bar	
Çalışma Viskozite Seviyesi Operating Viscosity Range		-12:100 cSt	
Sıvı Sıcaklığı Fluid Temperature		-40 °C+145 °C	
Çalışma Basıncı Working Pressure	Kirlilik Contamination		Filtre Filter
	NAS 1638	ISO 4406	βx=75
≥200 bar	11	20/17	25 μm
≤200 bar	12	21/18	40 μm

GANI SERIES GEAR PUMP



Kod Code		İletim Hacmi Displacement	Maks.Sürekli Basınç Max.Continuous Pressure	Min. Hız Min.Speed	Maks.Sürekli Hız Max.Continuous Speed	A	B	Giriş Inlet	Çıkış Outlet
Sol / Left	Sağ / Right	BD	(cm ³ /rev)	(100%)(BAR)	(RPM)	(mm)	(mm)	C	D
GT40063SF811	GT40063SF821	GT40063SF831	63	290	300	211	139	G1"	G3/4"
GT40073SF811	GT40073SF821	GT40073SF831	73	280		215	139		
GT40087SF811	GT40087SF821	GT40087SF831	87	260		220	143	G1 1/4"	G1"
GT40109SF811	GT40109SF821	GT40109SF831	109	250		228	149		
GT40133SF811	GT40133SF821	GT40133SF831	133	220		237	150		
GT40151SF811	GT40151SF821	GT40151SF831	151	180		243	152,5	G1 1/2"	

*The values in the table refer to unidirectional pumps. Reversible pump max pressures are 10% lower than those shown in table. For different working conditions please consult our sales department.